

Diva F

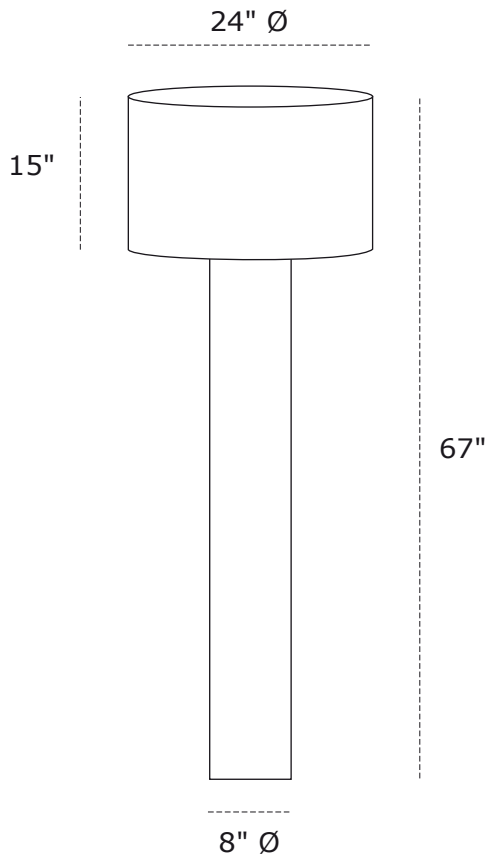
33

PROJECT NAME / NOM DU PROJET

Date

Type

Notes



Voltage / Voltage

120V

Shade finish / Fini d'abat-jour

- | | |
|---------------------------------------|----------------------------------------|
| White fabric <input type="checkbox"/> | Beige fabric <input type="checkbox"/> |
| Black fabric <input type="checkbox"/> | Polycarbonate <input type="checkbox"/> |
| Ivory fabric <input type="checkbox"/> | |

** Other colors and textures available*

Wood finish / Fini bois

- | | |
|----------------------------------|-----------------------------------|
| Natural <input type="checkbox"/> | Cognac <input type="checkbox"/> |
| Wenge <input type="checkbox"/> | Mahogany <input type="checkbox"/> |
| Black <input type="checkbox"/> | Walnut <input type="checkbox"/> |

** Other finishes available*

Light source / Source lumineuse

- | | | | |
|--------------------|------|--|--------------------------|
| 1 x BULB Fluo Comp | 32W | | <input type="checkbox"/> |
| 1 x BULB G40 Med | 100W | | <input type="checkbox"/> |

- | | | | |
|--------------------|-----|--|--------------------------|
| 1 x BULB GU24 Base | 32W | | <input type="checkbox"/> |
| LED | | | <input type="checkbox"/> |

** Other light source / wattage available on request*

All standard and custom-made product were tested and approved according to the code of normalizations (standardizations). A label affixed on the product gives evidence of it.

Tous produits standards et sur mesure ont été testés et approuvés selon le code de normalisations. Une étiquette apposée sur le produit en atteste.