

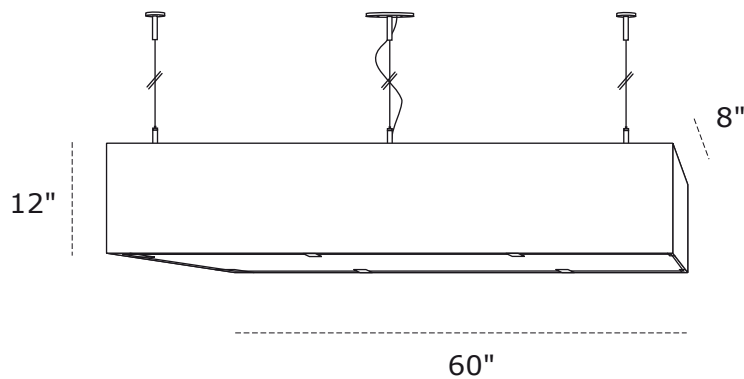
# Zento

PROJECT NAME / NOM DU PROJET

Date

Type

Notes



Voltage / Voltage

120V  277V  347V

\* Dimmable ballast available

Structure finish / Fini structure

Satin nickel  Brushed brass   
 Chrome  White   
 Brass  Black

\* Other finishes available on request






Suspension option / Option de suspension

Satin nickel stem  White stem   
 Chrome stem  Brass stem   
 Black stem  Satin brass stem   
 Aircraft cable + clear cable   
 Aircraft cable + black cable   
 Aircraft cable + white cable

\* Other finishes available

\*\* Sloped ceiling adapter available

Light source / Source lumineuse

3 x BULB A19 Med	75W		<input type="checkbox"/>
3 x BULB Fluo Comp	23W		<input type="checkbox"/>
3 x BULB GU24 Base	26W		<input type="checkbox"/>
1 x T5	39W		<input type="checkbox"/>
1 x T8	25W		<input type="checkbox"/>
LED			<input type="checkbox"/>

\* Other light source / wattage available on request

Shade finish / Fini d'abat-jour

White fabric  Beige fabric   
 Black fabric  Polycarbonate   
 Ivory fabric

\* Other colors and textures available

Diffuseur / Diffuseur

White acrylic  Red acrylic

\* Other colors available

All standard and custom-made product were tested and approved according to the code of normalizations (standardizations). A label affixed on the product gives evidence of it.

Tous produits standards et sur mesure ont été testés et approuvés selon le code de normalisations. Une étiquette apposée sur le produit en atteste.